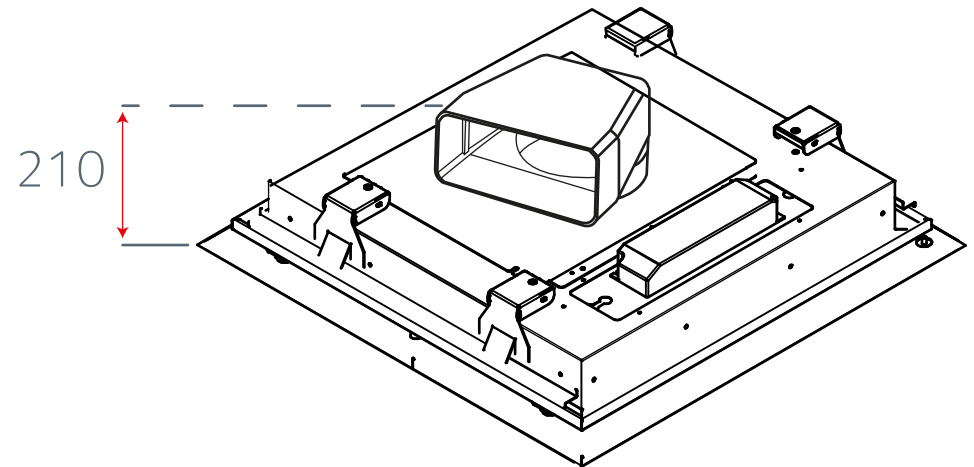
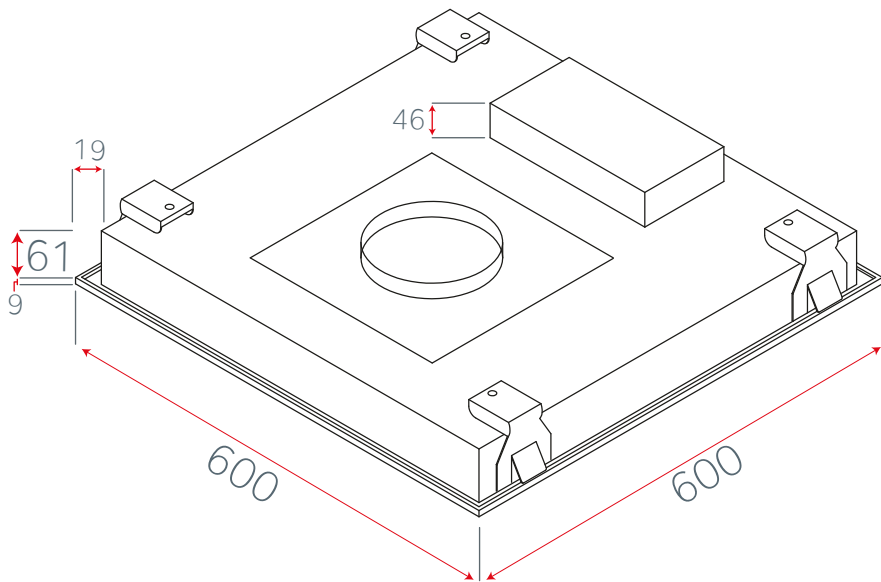
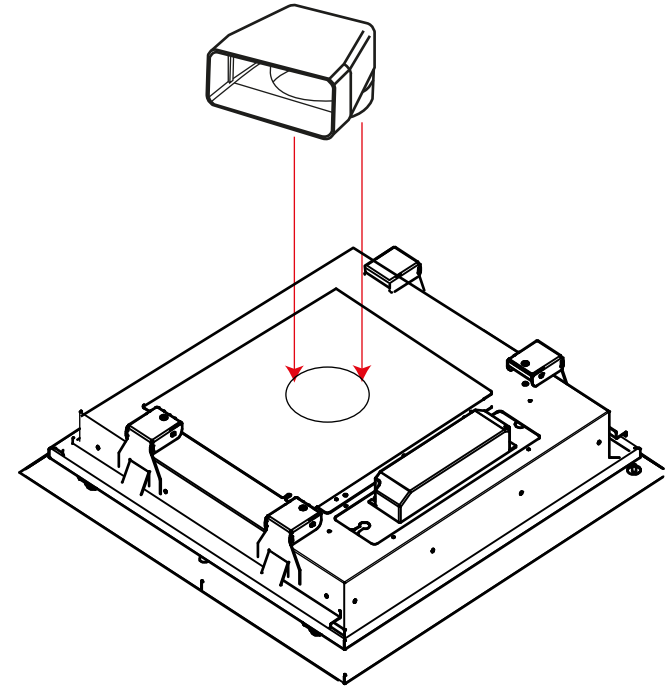
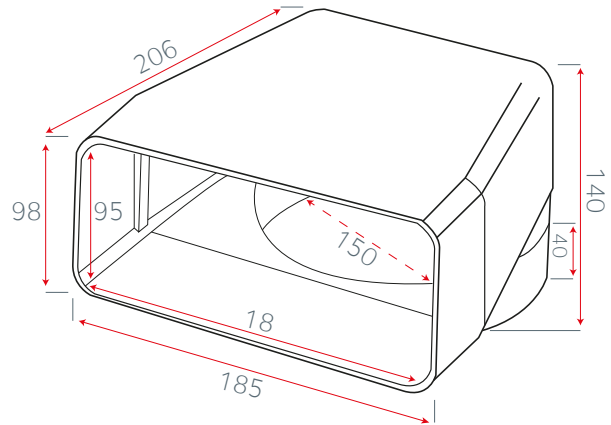


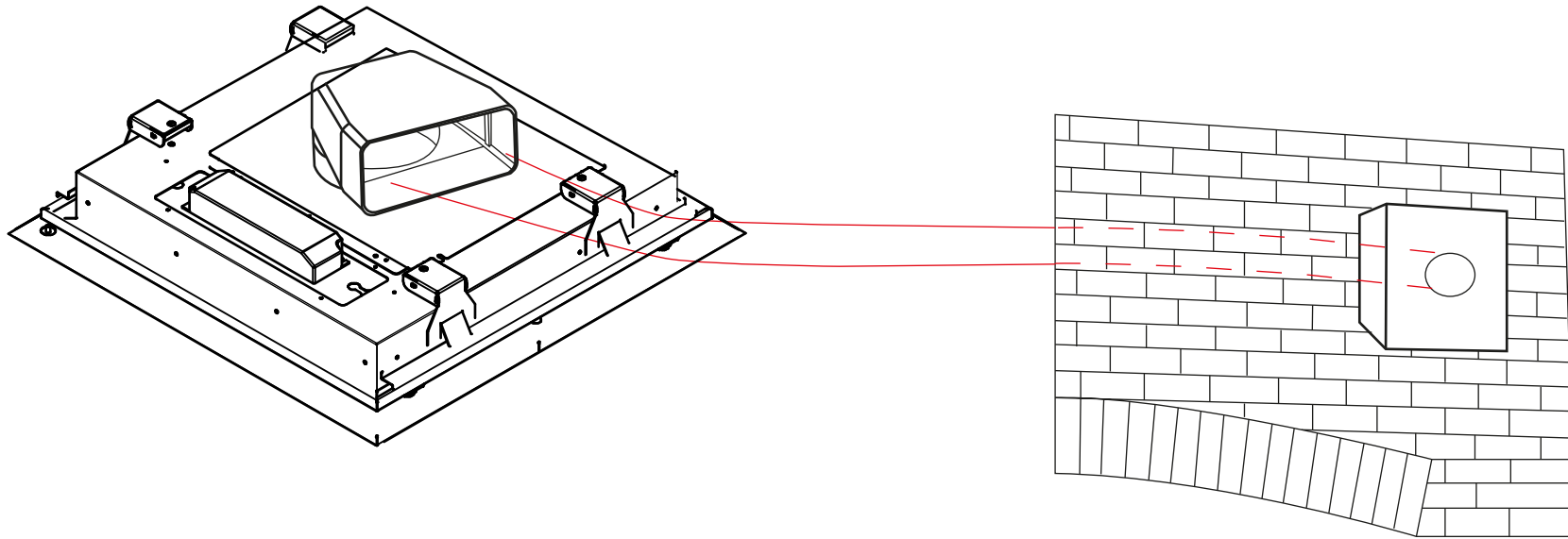


LUXAIR™  
EXTRACTION WITH ATTRACTION

# LA-60-Tolvi External Motor

6" - 180 x 95 Ducting





Wall Mounted External Motor

Pitched Roof External Motor

Flat Roof External Motor

